



Charge Wireless, Live Boundless





Qi2 Introduction to magnetic power charging technology

The Magnetic Power Protocol (MPP) is created based on Apple's Magsafe technology and optimizes the existing BPP and EPP protocols to form a new MPP protocol. It has better compatibility and higher charging efficiency.

- Magnet alignment never misses the "sweet spot" for charging.
- Better charging protocols ensure a perfect match between the device and the charger, which increases energy efficiency and charging speed.
- The data cable is matched with magnetic charging, allowing you to use your mobile device even when charging.
- Operates at 360kHz to prevent interference with vehicle keys or other electronic devices.
- Apple has a higher power expansion plan and will expand to 30W in the future.
- Apple takes the lead and the market is larger.

The future belongs to "Wireless"

- Magnetic wireless charging provides a better user experience and changes users' concepts about conventional wireless charging.
- Apple supports the development of the magnetic wireless charging market.
- The Android camp has joined, and the market has unified wireless charging technology standards.



EXPLORE

DUZZONA 

Pursue the ultimate sense of technology and strive to
create a simple lifestyle



Charge Wireless, Live Boundless



DUZZONA & WIRELESS CHARGING

- Compared with wired charging, 「Wireless Charging Technology」 removes the limitation of cables, it is simple and convenient to charge at any time, and applied in public places such as libraries, cafes, hotels, stations, airports, etc., more and more users are accustomed to using wireless charging devices. With the introduction of MagSafe charger and power bank by Apple, the wireless charging accessories market is booming, magnetic wireless charging is expected to be the trend, and its application will be extended to other electronic devices other than smartphones.
- Wireless charging technology appeared very early, but we have to admit that it still has many limitations, such as low charging efficiency and strict restriction on charging distance. Nonetheless, wireless charging can bring a lifestyle of 「unconscious charging」, using fragmented time in work and life to charge, allowing mobile phones to accumulate power silently. There is no need to deliberately pursue the charging speed, and the power can always be kept in a sufficient state. This is an unconscious experience brought by wireless charging.
- From birth to maturity, any technology will undergo continuous improvement and progress, and many unique wireless charging products will be derived in the process. In the future, we are looking forward to what kind of chemical reaction that wireless will have with what kind of design and what kind of material. We have launched a new brand 「DUZZONA」 in this context that focuses on wireless charging products. We will keep up with the development of the wireless charging market, and are committed to providing consumers with creative wireless charging and peripheral products, always keep security and user experience first, upgrade and improve our products continuously.



Charge Wireless
Live Boundless

DUZZONA INTRODUCTION

DUZZONA is a creative brand that strives to pursue a sense of technology, fashion and simplicity.

DUZZONA focuses on wireless chargers, magnetic chargers, magnetic mobile power supplies and peripheral products. With a sense of technology and simplicity as the brand concept, we firmly believe that creativity can change life, and we are committed to providing users with a minimalist product and service experience.

Connotation

Pursue the ultimate sense of technology and strive to create a minimalist lifestyle.

Idea

Integrate a sense of technology and a minimalist experience into more life scenarios. Improving the quality of life of users is our firm original intention.

Wish

Let more people around the world enjoy the fun brought by technology.





15W Simple Magnetic Wireless Charger with Stand W1

15W max output | magnetic alignment | MagSafe compatible

- High-power wireless charger with a slim body, easy to carry.
- Built-in strong magnets, the magnetic alignment experience only applies to iPhone 12-15 Series.
- The maximum output is 15W, and output 15W, 10W, 7.5W, 5W according to different devices.
- Support 360-degree rotation and adsorption, and it's convenient to play games on the phone.
- Comes with a 1.2-meter-long integrated charging cable.
- The folding stand can be placed at your favourite angle for movie watching and video calls.
- Certifications: CE UKCA FCC RoHS
- Colors: White/Black
- Size: 60*60*8.6mm
- Net Weight: 62g





The folding stand can be placed at your favourite angle for movie watching and video calls.

Packaging

Pursue the ultimate sense of technology and strive
to create a simple lifestyle





15W Folding Wireless Charger W2

15W max output | Android & iOS compatible

- High-power wireless charger with 17.2mm slim body, easy to carry.
- Compatible with iPhone, Samsung, Xiaomi, Huawei phones that support Qi protocol.
- The maximum output is 15W, and output 15W, 10W, 7.5W, 5W according to different devices.
- The phone can be placed on the charger horizontally/vertically.
- Comes with ambient light which can be adjusted via touch switch.
- The folding stand can be placed at your favourite angle for movie watching and video calls.
- Certifications: CE UKCA FCC RoHS
- Color: Black
- Size: 69.5*137.4*17.2mm
- Net Weight: 148g





The folding stand can be placed at your favourite angle for movie watching and video calls.



The folding stand can be placed at your favourite angle for movie watching and video calls.

Packaging

Pursue the ultimate sense of technology and strive to create a simple lifestyle





3-in-1 Magnetic Wireless Charger with Stand W7

15W max wireless output | Magnetic alignment & attachment | smartphone wireless charging | TWS wireless charging | Apple Watch wireless charging

- Compatible with smartphone, TWS earphone and Apple Watch as long as it supports Qi, no matter Android or Apple.
- 15W output for smartphone/5W output for TWS earphone/3W output for Apple Watch. Ultra thin, light and easy to carry.
- Built-in strong magnets, the magnetic attachment experience applies to iPhone 12/13/14/15 Series, Apple Watch, AirPods 3 and AirPods Pro.
- The maximum output is 15W, and intelligently output 15W, 10W, 7.5W, 5W according to different devices.
- Support 360-degree rotation and adsorption, and it's convenient to play games on the iPhone while charging.
- Comes with a 1-meter-long integrated charging cable.
- **The foldable stand can be placed at your favourite angle for movie watching and video calls.**
- Certifications: CE ROHS UKCA FCC
- Color: White
- Size: 60*60*7.7mm
- Net Weight: about 50g





- Compatible with smartphone, TWS earphone and Apple Watch as long as it supports Qi, no matter Android or Apple.



- The foldable stand can be placed at your favourite angle for movie watching and video calls.

Packaging

Pursue the ultimate sense of technology and strive to create a simple lifestyle





Qi-Certified 15W Wireless Charger Pad W11

15W max output | Just set down and power up

- Upgraded high-power wireless charging, slim and trim, compact and convenient, informative & sleep friendly LED indicator with minimalist design, get rid of the shackles of wires, bring you a more comfortable charging experience.
- Compatible with iPhone 8-15 Series, Samsung, Huawei, Xiaomi phones etc.
- Maximum output is 15W, intelligently output 15W, 10W, 7.5W, 5W according to the device type.
- Instantly charge your phone or earbuds simply by placing it in the center of this pad.
- Certifications: Qi CE UKCA FCC RoHS
- Color: Black
- Size: 100*100*8mm
- Net Weight: about 44g



Packaging

Pursue the ultimate sense of technology and strive to create a simple lifestyle





3-in-1 Transparent Magnetic Wireless Charger W13

Cyberpunk Style | 15W Max Wireless Output | Wide Compatibility | Magnetic Alignment

- Transparent tempered glass front panel with aluminium alloy baseboard.
- Compatible with smartphone, TWS earphone and Apple Watch as long as it supports Qi, no matter Android or Apple.
- 15W output for smartphone/5W output for TWS earphone/3W output for Apple Watch. Ultra thin, light and easy to carry.
- Built-in strong magnets, the magnetic attachment experience applies to iPhone 12/13/14/15 Series, Apple Watch, AirPods 3 and AirPods Pro.
- The maximum output is 15W, and intelligently output 15W, 10W, 7.5W, 5W according to different devices.
- Support 360-degree rotation and adsorption, and it's convenient to play games on the iPhone while charging.
- Comes with a 1-meter-long integrated charging cable.
- Certifications: CE RoHS UKCA FCC
- Materials: Tempered Glass+Aluminum Alloy
- Dimensions: 60*60*8.5mm
- Net Weight: 46g



Packaging

Pursue the ultimate sense of technology and strive to create a simple lifestyle





3-in-1 Transparent Magnetic Wireless Charging Station W15

Cyberpunk Style | 15W Max Wireless Output | Wide Compatibility | Magnetic Alignment | Phone Stand

- It can charge an iPhone 12 or 13 or 14 or 15, earbuds, and Apple Watch at the same time.
- LED charging indicator light+minimalist transparent design, aluminium alloy+tempered glass shell.
- The total output power of wireless charging can reach 20W, which greatly improves the experience of wireless charging.
- Stand your iPhone in portrait or landscape while magnetically charging.
- Support FOD foreign object detection, intelligently identify metal and other foreign objects, and automatically power off to ensure safe use.
- Certifications: CE RoHS UKCA FCC
- Color: Black
- Dimensions: 125*108.5*71mm
- Net Weight: 175g



Packaging

Pursue the ultimate sense of technology and strive to create a simple lifestyle





3-in-1 Magnetic Wireless Charging Station W16

6-Color Ambient Light+Touch-enabled Button+Zinc Alloy Stand

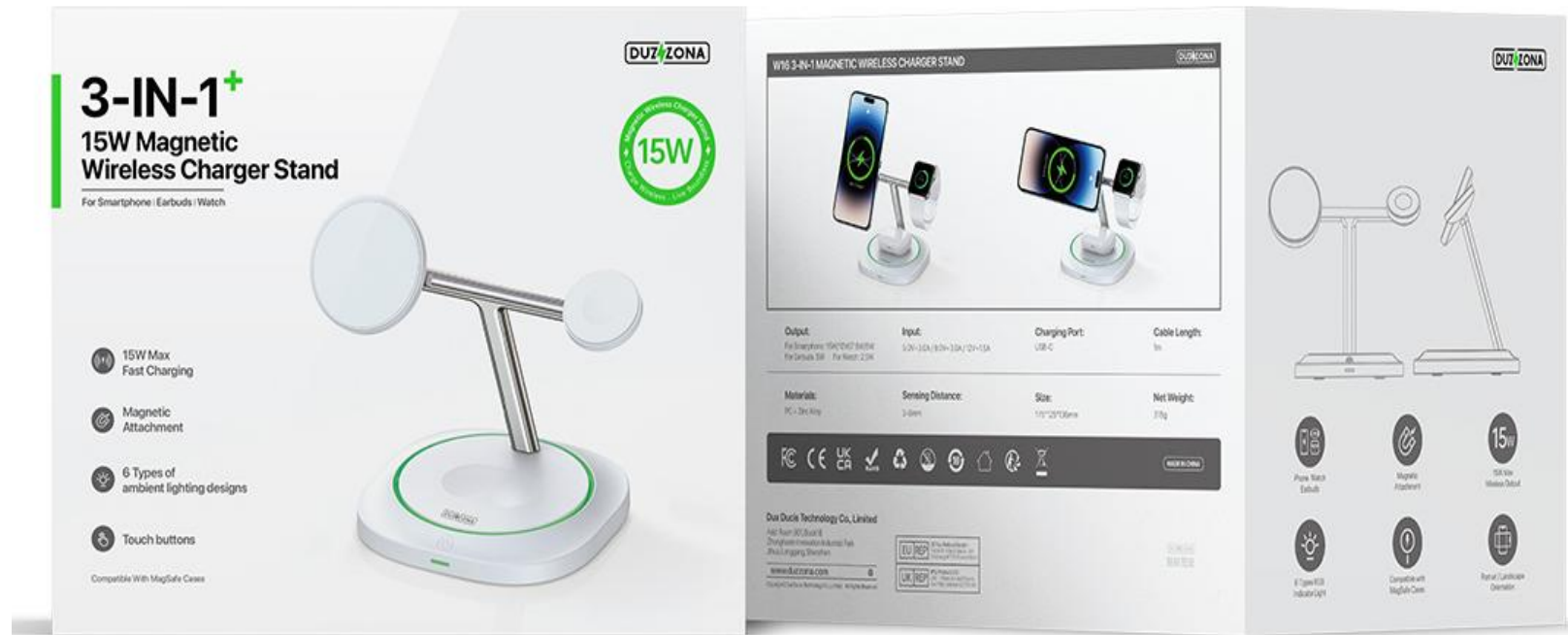
- It can charge an iPhone 12 or 13 or 14 or 15, earbuds, and Apple Watch at the same time
- Stand your iPhone in portrait or landscape while magnetically charging.
- The ambient light has 6 colors: white/red/blue/green/slow flashing RGB/fast flashing RGB, each time you touch the button, its color changes.
- The maximum output is 15W, and intelligently output 15W, 10W, 7.5W, 5W according to different devices.
- Support FOD foreign object detection, intelligently identify metal and other foreign objects, and automatically power off to ensure safe use.
- Certifications: CE ROHS UKCA FCC
- Dimensions: 175*125*136mm
- Materials: ABS+PC+Aluminum Alloy
- Color: White
- Net Weight: 290g



Package

追求科技的终极感，努力创造极简的生活方式

Pursue the ultimate sense of technology and strive to create a simple lifestyle



15W Folding 3-in-1 Wireless Charger W17

15W Max Wireless Output | Magnetic Alignment | Folding Design | Phone Stand

- It has a transparent tempered glass shell and can wirelessly charge three devices, including iPhone 12/13/14/15 series, Qi-enabled earphones, and Apple Watch, at the same time. It can be used at home or in the office, or it can be folded and taken for travel.
- Compact and portable folding design, it frees you from the shackles of wires, and provides you with a more comfortable charging experience.
- The maximum output is 15W, and intelligently output 15W, 10W, 7.5W, 5W according to different devices.
- Stand your iPhone in portrait or landscape while magnetically charging.
- Support FOD foreign object detection, intelligently identify metal and other foreign objects, and automatically power off to ensure safe use.
- Certifications: CE RoHS UKCA FCC
- Color: Black
- Dimensions: 121*70*130mm
- Net Weight: 150g



3-in-1 folding wireless charger: compact size + magnetic charging + folding design + phone stand



Package

Pursue the ultimate sense of technology and strive to create a simple lifestyle





Qi2 15W Wireless Charger W18

Qi2 Certified | 15W Max Wireless Output | Magnetic Alignment

- Officially certified Qi2 module ensures 2x faster magnetic wireless charging.
- The back of the casing is made of aluminum alloy material, which dissipates heat very quickly and effectively reduces heat accumulation in the coil and casing. The front is made of silicone material, which is soft and comfortable to the touch.
- Built-in strong N52 magnets, the magnetic attachment experience applies to iPhone 12/13/14/15 Series, AirPods 3 and AirPods Pro.
- The maximum output is 15W, and intelligently output 15W, 7.5W, 5W according to different devices.
- Support FOD foreign object detection, intelligently identify metal and other foreign objects, and automatically power off to ensure safe use.
- Support 360-degree rotation and adsorption, and it's convenient to play games on the phone.
- Comes with a 1-meter-long integrated charging cable.
- Certifications: Qi2 CE RoHS UKCA FCC
- Materials: Silicone+Aluminum Alloy
- Color: White
- Dimensions: $\varnothing 58.5 \times 7.5$ mm
- Net Weight: 59.6g



Package

Pursue the ultimate sense of technology and strive to create a simple lifestyle





Slide 3-in-1 Magnetic Wireless Charger W19

15W Max Wireless Output | Slide Design | Phone Stand | Foldable | Magnetic Charging

- Made of aluminum alloy+ABS+fabric, it feels comfortable to the touch, and it can slide up and down, not only good-looking but also easy to carry.
- It can charge your iPhone, Apple Watch and AirPods at the same time. The magnets in the charger can be precisely aligned with the magnets in the iPhone/Apple Watch enabling fast and stable wireless charging. The magnetic charging function applies to iPhone 12/13/14/15 series and all series of Apple Watch.
- Compact and portable folding design, it frees you from the shackles of wires, and provides you with a more comfortable charging experience.
- The maximum total output is 20W, and intelligently output 15W, 7.5W, 5W according to different devices
- Stand your iPhone in portrait or landscape while magnetically charging.
- Support FOD foreign object detection, intelligently identify metal and other foreign objects, and automatically power off to ensure safe use.
- Certifications: CE RoHS UKCA FCC
- Color: White
- Materials: Fabric+aluminum alloy+ABS
- Size: 140*70*20mm
- Net Weight: 170g





Package

Pursue the ultimate sense of technology and strive to create a simple lifestyle



DUZZONA

3-IN-1+ 15W Magnetic Wireless Charger Stand

三合一磁吸无线充支架
3in1-ワイアレスチャージ座

Tres en uno
15W Magnético Soporte de carga inalámbrica

For smartphone / Earbuds / Watch
可同时给手机/耳机/手表充电
スマホ・イヤホン・ウォッチ同時に充電可能
Carga simultánea de móvil/auriculares/reloj

- Sliding Design • Bracket Function
• 可以上下推拉 • 可当手机支架使用
- Sliding Design • Smartphone Stand Compatible
• 可以上下推拉 • 可当手机支架使用
- Sliding Design • Smartphone Stand Compatible
• 可以上下推拉 • 可当手机支架使用
- Sliding Design • Smartphone Stand Compatible
• 可以上下推拉 • 可当手机支架使用



- Smartphone | 手机
スマホ | Móvil
- Earbuds | 耳机
イヤホン | Auriculares
- Watch | 手表
ウォッチ | Reloj



W18 3-IN-1 WIRELESS CHARGER STAND

Portrait stand
纵向支撑手机
Portrait
Portrait
Portrait



Landscape stand
横向支撑手机
Landscape
Landscape
Landscape



Charge at the same time
同时充电
Carga simultánea



Output: For Smartphone: 15W/10W/7.5W/5W, For Earbuds: 5W, For Watch: 2.5W. Input: 5.0V/2A, 9.0V/2.22A, 12V/1.67A. Charging Port: USB-C. Cable Length: 1m. Materials: ABS+Aluminum Alloy. Fabric: Transmission Distance: 3-8mm. Size: 140*70*20mm. Net Weight: 170g

输出: 手机: 15W/10W/7.5W/5W, 耳机: 5W, 手表: 2.5W. 输入: 5.0V/2A, 9.0V/2.22A, 12V/1.67A. 线材: 1米. 充电接口: USB-C. 材质: ABS+铝合金+布. 接收距离: 3-8mm. 尺寸: 140*70*20mm. 净重: 170克

功率: 手机: 15W/10W/7.5W/5W, 耳机: 5W, 手表: 2.5W. 输入: 5.0V/2A, 9.0V/2.22A, 12V/1.67A. 充电接口: USB-C. 线材: 1米. 材质: ABS+铝合金+布. 接收距离: 3-8mm. 尺寸: 140*70*20mm. 净重: 170g

输出: 手机: 15W/10W/7.5W/5W, 耳机: 5W, 手表: 2.5W. 输入: 5.0V/2A, 9.0V/2.22A, 12V/1.67A. 充电接口: USB-C. 线材: 1米. 材质: ABS+铝合金+布. 接收距离: 3-8mm. 尺寸: 140*70*20mm. 净重: 170g

FCC	CE	UK CA	RoHS	EU REP	VE Fort Refund GmbH Friedrich-Adolf-Strasse 184 Duisburg 47226 Deutschland E-mail: ue-06@fortmail.com
Recycling	Household	Recycling	Recycling	UK REP	WSJ Product LTD Unit 14/15g, Kettleby, Brownlow Hill, Liverpool, L3 5TX, UK E-mail: andrew@wsjprod.com
Recycling	Household	Recycling	Recycling	US REP	USA MEHUA TRADING INC 5379 Pine Valley Ct, Boulder CO 80301 United States E-mail: mehua.trading.inc@gmail.com

卡士盾科技有限公司
Ducis Technology Co., Limited
Room 901, Block 10, Zhongshun Innovation Industrial Park,
Huaui, Longgang, Shenzhen, China
深圳龙岗区华富街海吉季二栋11号中海信创新产业园8栋901
Web: www.duzzona.com

Made in China | 中国制造
Manufactured in China

DUZZONA
貼標簽處



4 in 1 Magnetic Wireless Charging House W20

Cozy House Design+3-Color Adjustable Ambient Light+Touch Switch+Magnetic Charging

- Cozy house design to elevate your room's style. 3-color adjustable ambient light with a touch switch (cold color, warm color, cold and warm mixed color)
- It can wirelessly charge three devices at home or in the office, including iPhone 12/13/14/15 series, Qi-enabled earphones, and Apple Watch, at the same time.
- Ergonomically designed, it can not only charge mobile phones, but also be used to stand your phone in portrait or landscape for watching movie or video call.
- The maximum output for smartphone charging is 15W, and intelligently output 15W, 10W, 7.5W, 5W according to different devices.
- Support FOD foreign object detection, intelligently identify metal and other foreign objects, and automatically power off to ensure safe use.
- Certifications: CE RoHS UKCA FCC
- Size: 120*90*68mm
- Materials: ABS+rubber oil
- Color: White
- Net Weight: 220g



Packaging

Pursue the ultimate sense of technology and strive to create a simple lifestyle





75% Charged

Magnetic Wireless Car Charger V2

15W Max wireless output | Magnetic alignment | MagSafe charging | Transparent shell

- This 360-degree rotatable charger makes navigation and charging more convenient.
- Magnetic alignment experience applies to iPhone 15/14/13/12 Series.
- The maximum wireless charging power can reach 15W, and intelligently output 15W, 10W, 7.5W, 5W according to different devices.
- Combination of tempered glass and aluminum alloy with RGB indicators makes it look cool.
- Certifications: CE UKCA FCC RoHS
- Color: Black
- Size: Ø59*76mm
- Net Weight: 60g



- Cyberpunk design
- Tempered glass+aluminium alloy
- Magnetic fast charging
- 360-degree rotatable



Packaging

Pursue the ultimate sense of technology and strive to create a simple lifestyle





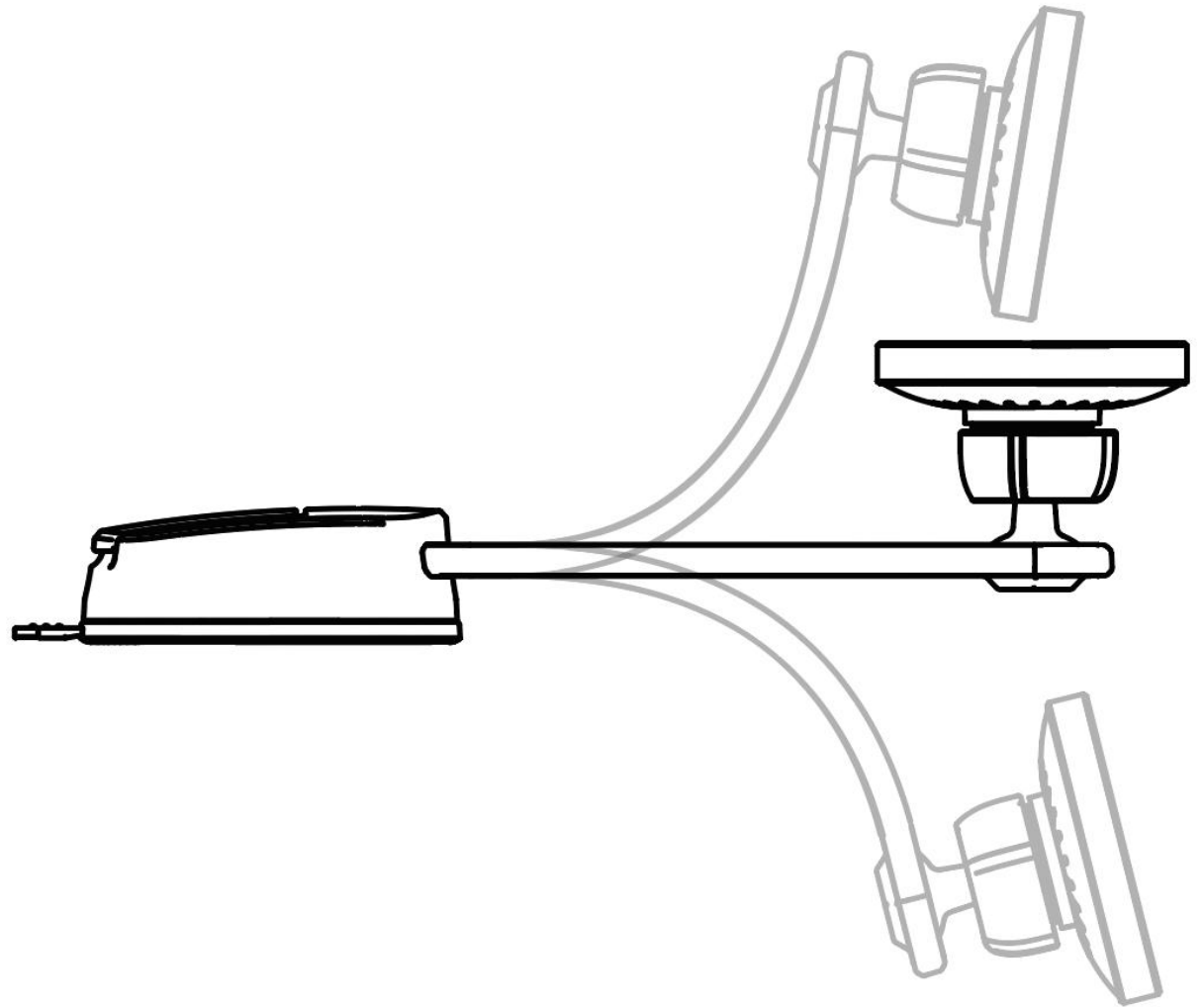
Magnetic Wireless Car Charger V3

15W Max wireless output | Magnetic alignment | MagSafe charging | Transparent shell | Bendable Metal Arm

- 360° rotatable wireless charger + 90° adjustable soft metal arm, place it on the center of console/windshield of your car for navigation and charging.
- Magnetic alignment experience applies to iPhone 15/14/13/12 Series.
- Ergonomic design + minimalist appearance + adjustable soft metal arm + magnetic charging, one product can meet your multiple needs. Aluminum alloy shell + RGB indicator light make it look cool.
- The maximum wireless charging power can reach 15W, and intelligently output 15W, 10W, 7.5W, 5W according to different devices.
- Stand your iPhone in portrait or landscape while magnetically charging.
- Certifications: CE RoHS UKCA FCC
- Color: Black
- Size: 215*72*58mm
- Net Weight: 145g



- Ergonomic design
- Aluminum alloy + ABS shell
- Magnetic alignment experience
- Bendable Metal Arm



Packaging

Pursue the ultimate sense of technology and strive to create a simple lifestyle



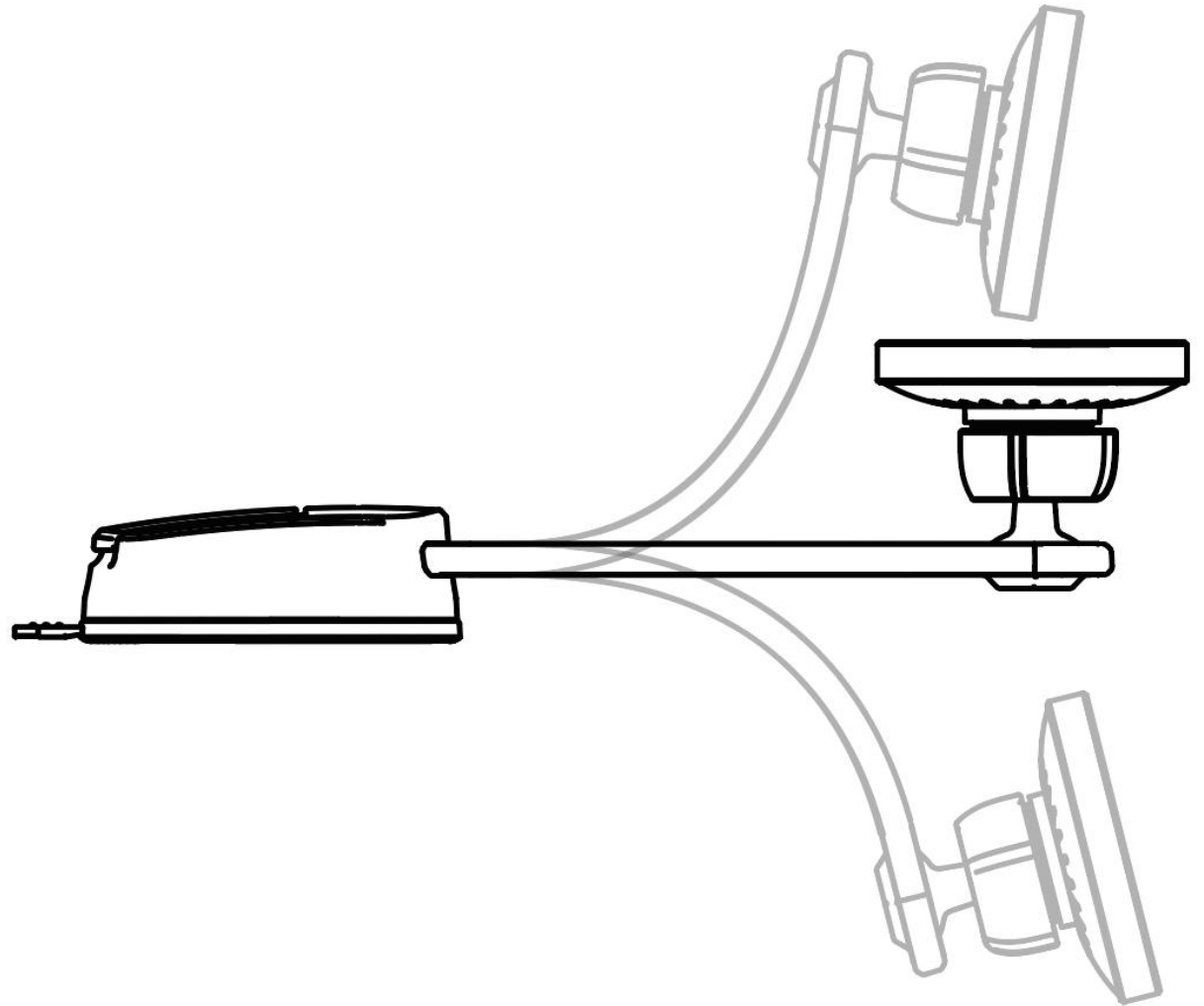
Qi2 15W Magnetic Wireless Car Charger V4

Qi2 certified | 15W Max wireless output | Magnetic alignment Bendable Metal Arm

- Officially certified Qi2 module ensures 2x faster magnetic wireless charging.
- The back of the casing is made of aluminum alloy material, which dissipates heat very quickly and effectively reduces heat accumulation in the coil and casing. The front is made of silicone material, which is soft and comfortable to the touch.
- Built-in strong N52 magnets, the magnetic attachment experience applies to iPhone 12/13/14/15 Series, AirPods 3 and AirPods Pro.
- 360° rotatable wireless charger + 90° adjustable soft metal arm, place it on the center of console/windshield of your car for navigation and charging.
- Ergonomic design + minimalist appearance + adjustable soft metal arm + magnetic charging, one product can meet your multiple needs. Aluminum alloy shell + RGB indicator light make it look cool.
- The maximum wireless charging power can reach 15W, and intelligently output 15W, 10W, 7.5W, 5W according to different devices.
- Stand your iPhone in portrait or landscape while magnetically charging.
- Certifications: CE RoHS UKCA FCC Qi2
- Color: Black
- Size: 225*72*58.5mm
- Net Weight: 192g



- Ergonomic design
- Aluminum alloy + ABS shell
- Magnetic alignment experience
- Bendable Metal Arm



Packaging

Pursue the ultimate sense of technology and strive to create a simple lifestyle





PD 20W USB-C Charger T3-01 (EU)

PD20W Charger | Take you experience fast charging

- High-power design improves the charging conversion rate, able to charge a iPhone 13 from 0 to 60% power in 30 minutes.
- Support iPhone 8 ~ 14 Series and iPad Series fast charging, and also Samsung, Xiaomi, Huawei mobile phone/tablet fast charging.
- Compatible with PPS/PD/QC/AFC/SCP and other protocols, support 5V/3A, 9V/2.22A, 12V/1.67A outputs.
- The shell is made of V0 grade fire retardant material to ensure safe use.
- Use high-precision resistive components and circuit chips with over-current protection, short-circuit protection, over-temperature protection and other functions.
- Output: 20W Max
- Certifications: CE RoHS
- Color: White
- Size: 89.3*46*26.6mm
- Weight: 53g



PD 20W USB-C Charger T3-02 (UK)

PD20W Charger | Take you experience fast charging

- High-power design improves the charging conversion rate, it's able to charge a iPhone 13 from 0 to 60% power in 30 minutes.
- Supports iPhone 8 ~ 14 Series and iPad Series fast charging, and also Samsung, Xiaomi, Huawei mobile phone/tablet fast charging.
- Compatible with PPS/PD/QC/AFC/SCP and other protocols, support 5V/3A, 9V/2.22A, 12V/1.67A outputs.
- The shell is made of V0 grade fire retardant material to ensure safe use.
- Use high-precision resistive components and circuit chips with over-current protection, short-circuit protection, over-temperature protection and other functions.
- Output: 20W Max
- Certifications: UKCA RoHS
- Color: White
- Size: 71*48*42mm
- Net Weight: 62g



Packaging

Pursue the ultimate sense of technology and strive to create a simple lifestyle



PD 25W USB-C Charger T6

Specially Designed for Samsung Devices

PD 25W Charger | Take your experience fast charging

- High-power design improves the charging conversion rate, it's able to charge a Samsung Galaxy S22 from 0 to 60% power in 30 minutes.
- Offers fast charge to Samsung phones and tablets, and also iPhone, Huawei, Xiaomi phones etc.
- Compatible with PPS PD QC AFC SCP protocols, and supports 5V/3A, 9V/2.77A, 12V/2.08A outputs.
- The shell is made of V0 grade fire retardant material to ensure safe use.
- Use high-precision resistive components and circuit chips with over-current protection, short-circuit protection, over-temperature protection and other functions.
- Output: 25W Max
- Certifications: CE RoHS
- Color: White
- Size: 80*43*28mm
- Net Weight: 55g



Packaging

Pursue the ultimate sense of technology and strive to create a simple lifestyle



30W GaN 1A+1C Charger T7

30W PD+QC | Take you experience fast charging

- Made of third-generation semiconductor materials, this GaN charger greatly improves the charging efficiency and heat dissipation performance, while reducing energy loss, and has the advantages of higher power and smaller volume.
- PD30W + QC18W charger, it can charge iPhone 14 from 0 to about 60% in 30 minutes.
- Supports the fast charging of iPhone, iPad and also Samsung, Xiaomi, Huawei, etc., mobile phones/tablets.
- Compatible with PPS PD QC AFC SCP and other charging protocols.
- The shell is made of V0 grade fire retardant material to ensure safe use.
- Use high-precision resistive components and circuit chips with over-current protection, short-circuit protection, over-temperature protection and other functions.
- Total output: 30W (A+C)
- Size: 86*41*27mm
- Certifications: CE RoHS
- Net Weight: 63g
- Color: White



Packaging

Pursue the ultimate sense of technology and strive to create a simple lifestyle



65W GaN 1A+2C Charger T9-01(EU)

65W PD+QC | Take you experience fast charging

- 3-port PD65W high power output, USB-C1 & USB-C2 & USB-A support 65W, 65W, 60W output when working independently, which can be used for quickly charging laptops.
- 2 Type-C ports + 1 USB-A port, which can charge 3 devices at the same time and intelligently adjust the output voltage and current.
- The 3rd Gen. GaN gallium nitride semiconductor material is adopted, which greatly improves the charging efficiency, heat dissipation performance and reduces energy loss, while having the advantages of higher power and smaller size.
- Use the "matte and gloss combination" color scheme.
- Small size, convenient storage, easy to carry.
- Support PD/QC/PPS/FCP/SCP/AFC and other fast charging protocols to meet the fast charging requirements of various devices.
- The shell is made of V0 grade fire retardant material to ensure safe use.
- Certifications: CE RoHS
- Color: White
- Size: 80*43*28mm
- Net Weight: 130g



Packaging

Pursue the ultimate sense of technology and strive to create a simple lifestyle



65W GaN 1A+2C Charger T9-02(UK)

65W PD+QC | Take you experience fast charging

- 3-port PD65W high power output, USB-C1 & USB-C2 & USB-A support 65W, 65W, 60W output when working independently, which can be used for quickly charging laptops.
- 2 Type-C ports + 1 USB-A port, which can charge 3 devices at the same time and intelligently adjust the output voltage and current.
- The 3rd Gen. GaN gallium nitride semiconductor material is adopted, which greatly improves the charging efficiency, heat dissipation performance and reduces energy loss, while having the advantages of higher power and smaller size.
- Use the "matte and gloss combination" color scheme.
- Small size, convenient storage, easy to carry.
- Support PD/QC/PPS/FCP/SCP/AFC and other fast charging protocols to meet the fast charging requirements of various devices.
- The shell is made of V0 grade fire retardant material to ensure safe use.
- Certifications: UKCA RoHS
- Color: White
- Size: 80*43*28mm
- Net Weight: 130g



Packaging

Pursue the ultimate sense of technology and strive to create a simple lifestyle





C-L 20W Fast Charging Cable A1

C-C 65W Fast Charging Cable A2

- PD20W USB-C to Lightning
- **Compatibility: 9V= 2.22A**
- Data Transfer Rate: 480Mbps
- Materials: Nylon Braided Wire+TPE Joint
- +Aluminum Alloy Shell
- 3000 Bend Lifespan
- Certifications: CE FCC UKCA RoHS
- Color: Grey
- Length: 1m/2m/3m
- Outside Diameter: 3.8mm

- PD65W USB-C to USB-C
- **Compatibility: 20V= 3.25A**
- Data Transfer Rate: 480Mbps
- Materials: Nylon Braided Wire+TPE Joint
- +Aluminum Alloy Shell
- 3000 Bend Lifespan
- Certifications: CE FCC UKCA RoHS
- Color: Grey
- Length: 1m/2m/3m
- Outside Diameter: 3.8mm



Packaging

Pursue the ultimate sense of technology and strive to create a simple lifestyle



3-in-1 Cable A3

One for all: charge any of your devices with the interchangeable, built-in Micro USB, USB-C, and Lightning connectors.

- Able to charge 3 devices at the same time, total output is 3.5A at maximum.
- Materials: nylon braided wire+TPE joint+aluminum alloy shell+ergonomic insert and removal slots.
- Fast Charge (3A output for USB-C connector, 2.4A output for Lightning connector, 2A output for Micro USB connector)
- Data Transfer Rate: 480Mbps (only applies to Lightning connector)
- 3000 Bend Lifespan
- Certifications: CE FCC UKCA RoHS
- Color: Grey
- Length: 1.3m
- Outside Diameter: 4.2mm
- Net Weight: 57g



Packaging

Pursue the ultimate sense of technology and strive to create a simple lifestyle



100W 3-in-1 5A Fast Data Cable A4

Fast charge 3 devices at the same time, the maximum total output can reach 5A/100W; the maximum single output is 5A/100W for USB-C, 3A/20W for Lightning, 2A/10W for Micro USB

- Compatible with PD/Samsung AFC/Huawei FCP/QC/PPS and other fast charging protocols.
- The built-in intelligent management chip can intelligently distribute the current to ensure the safe charging of the device.
- Materials: nylon braided wire+TPE joint+aluminum alloy shell+ergonomic insert and removal slots.
- LED indicator light: green for normal charging, red for fast charging.
- Color: Black
- Length: 1.3m (with strap) Outside Diameter: 3.8mm
- **Fast Charge (5A output for USB-C connector, 3A output for Lightning connector, 2A output for Micro USB connector)**
- Data Transfer Rate: 480Mbps (applies to Lightning connector and USB-C connector)
- 3000 Bend Lifespan
- Certifications: CE RoHS FCC UKCA
- Net Weight: 68g



Packaging

Pursue the ultimate sense of technology and strive to create a simple lifestyle



C-L 20W Fast Charging Cable A5

C-C 65W Fast Charging Cable A6

Cyberpunk Style PD&QC Fast Charging

- PD20W USB-C to Lightning
 - Materials: High density braided nylon
 - +PVC+transparent shell
 - Length: 1 m
 - Outside Diameter: 3.8mm
 - Compatibility: 9V== 2.22A
 - Supports 9V== 3A 27W
 - Data Transfer Rate: 480Mbps
 - 3000 Bend Lifespan
 - Certifications: CE RoHS FCC UKCA
 - Net Weight: 26g
- PD65W USB-C to USB-C
 - Materials: High density braided nylon
 - +PVC+transparent shell
 - Length: 1 m
 - Outside Diameter: 3.8mm
 - Compatibility: 20V== 3.25A
 - Data Transfer Rate: 480Mbps
 - 3000 Bend Lifespan
 - Certifications: CE RoHS FCC UKCA
 - Net Weight: 26g



Packaging

Pursue the ultimate sense of technology and strive to create a simple lifestyle



A-L 5V/2.4A USB Cable A7

A-C 5V/2.4A USB Cable A8

- A7-USB A to Lightning
- Output: 5V= 2.4A
- Data Transfer Rate: 480Mbps
- Materials: Nylone Braided Wire+TPE Joint
- +Aluminum Alloy Shell
- 3000 Bend Lifespan
- Certifications: CE FCC UKCA RoHS
- Color: Grey
- Length: 1m/2m
- Outside Diameter: 3.8mm

- A8-USB A to USB-C
- Output: 5V= 2.4A
- Data Transfer Rate: 480Mbps
- Materials: Nylone Braided Wire+TPE Joint
- +Aluminum Alloy Shell
- 3000 Bend Lifespan
- Certifications: CE FCC UKCA RoHS
- Color: Grey
- Length: 1m/2m
- Outside Diameter: 3.8mm



Packaging

Pursue the ultimate sense of technology and strive to create a simple lifestyle



100W 10Gbps 4K@60Hz Power Data Video Cable A9

USB-C to USB-C power/data/video cable supports 100W fast charging, 10Gbps data transfer, and 4K@60Hz HD display. Specially it supports iPhone 15 series fast charging and data transfer.

- It supports 5A current output and can quickly charge laptops/tablets/mobile phones. It is compatible with PD/Samsung AFC/Huawei FCP/QC/PPS and other fast charging protocols.
- It supports USB3.2 Gen2x1 data transfer (10Gbps high-speed transfer), which can meet the needs of iPhone 15 series mobile phones, tablets, notebooks, hard drives and Android devices.
- It supports 4K@60Hz (3840x2160) video display, and it is applicable in office/house/professional creator/film and television screen projection and other application scenarios.
- It has an intelligent management chip that can intelligently allocate current to protect the device's safe/stable charging.
- Materials: high density nylon braided wire+TPE joint+aluminum alloy shell.
- Color: Black
- Length: 1.3m (with strap) Outside Diameter: 4.9mm
- 3000 Bend Lifespan
- Certifications: CE RoHS FCC UKCA
- Net Weight: 37g



Packaging

Pursue the ultimate sense of technology and strive to create a simple lifestyle





Charge Wireless, Live Boundless



www.duzzona.com

Add: Room 901,Block18,Zhonghaixin Innovation Industrial Park,Jihua,Longgang,Shenzhen

Copyright©DUX DUCIS Technology Co.,Ltd.
All Rights Reserved